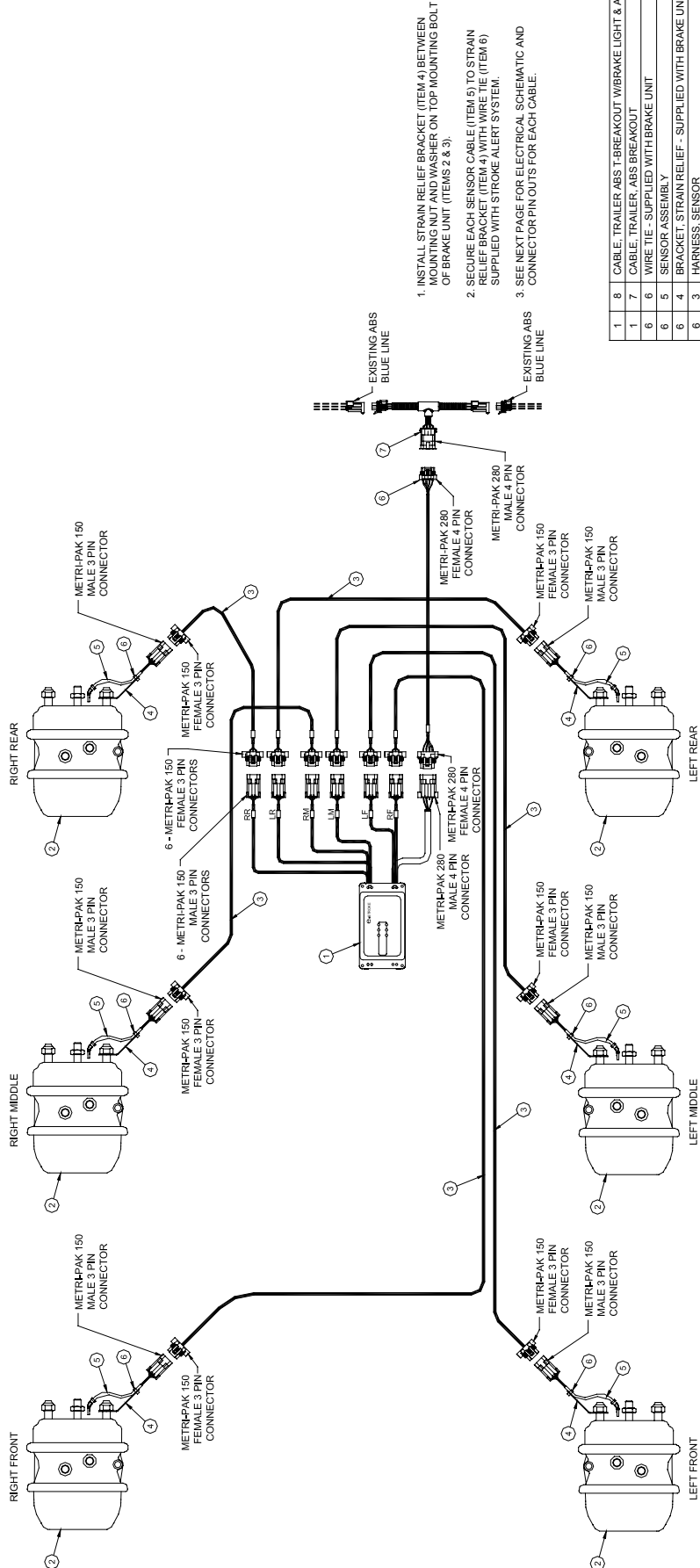




exclusive to **MGM Brakes**

TRAILER 3 AXLE WIRING DIAGRAM



1. INSTALL STRAIN RELIEF BRACKET (ITEM 4) BETWEEN MOUNTING NUT AND WASHER ON TOP MOUNTING BOLT OF BRAKE UNIT (ITEMS 2 & 3).
2. SECURE EACH SENSOR CABLE (ITEM 5) TO STRAIN RELIEF BRACKET (ITEM 4) WITH WIRE TIE (ITEM 6) SUPPLIED WITH STROKE ALERT SYSTEM.
3. SEE NEXT PAGE FOR ELECTRICAL SCHEMATIC AND CONNECTOR PIN OUTS FOR EACH CABLE.

QTY	ITEM	DESCRIPTION
1	8	CABLE, TRAILER ABS T-BREAKOUT W/BRAKE LIGHT & ABS FAIL
1	7	CABLE, TRAILER, ABS BREAKOUT
6	6	WIRE TIE - SUPPLIED WITH BRAKE UNIT
6	5	SENSOR ASSEMBLY
6	4	BRACKET, STRAIN RELIEF - SUPPLIED WITH BRAKE UNITS
6	3	HARNES, SENSOR
6	2	TANDEM SPRING BRAKE
1	1	CHASSIS COMMUNICATION MODULE



exclusive to MGM Brakes

TRAILER 3 AXLE WIRING SCHEMATICS

