

# TR-T SPRING BRAKES BREATHE EASY



**BREATHER TUBE  
TECHNOLOGY—  
A MUST IN THE DUST**



**MGM BRAKES**  
A Division of Indian Head Industries, Inc.

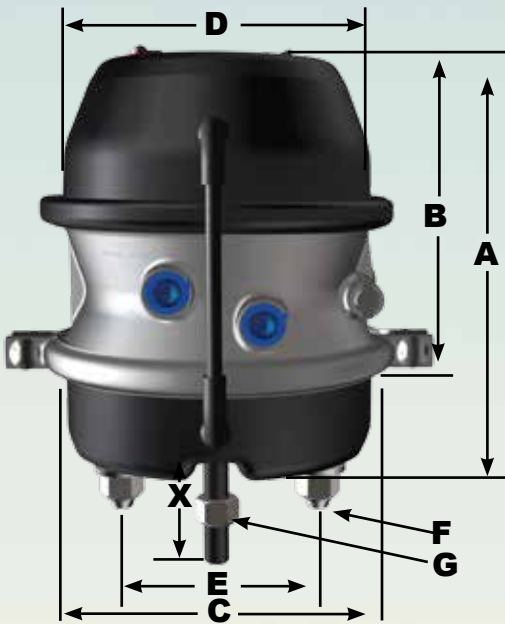
**Form 5047**

# TR-T Model Spring Brakes

These models are characterized by the same quality design features of our world-famous TR model lineup, with the addition of an “External Breather Tube”. This feature prevents contaminants from entering the spring chamber. TR-T models are ideal for tough applications – ready-mix cement trucks, dump trucks (end dumps, belly dumps, etc.), refuse and other vehicles that typically operate in harsh, dusty environments.

## KEY FEATURES

- External Breather Tube Seals Out Contamination
- Heavy-Duty Nylon Reinforced
- Heavy-Duty Nylon Reinforced Neoprene Diaphragms (Optional) Diaphragms (“Center Hole” Design on Some Models)
- Center Hole Shield Prevents Entry of Contaminants
- Heavy-Duty 8-Gauge Steel Non-Pressure Chamber Standard on Type 3030 & 3036 Aftermarket Models
- Heavy-Duty 6-Gauge Steel Non-Pressure Chamber Standard on Type 36 Models



P/N Series	3421	3426	3428	3435	3431	3432	3436
Model	TR2024T	TR2424LT	TR2430LT	TR3024T	TR3030T	TR3036T	TR3636T
Size	2024	2424	2430	3024	3030	3036	3636
Stroke	2.25"	2.50"	2.50"	2.50"	2.50"	2.50"	3.00"
P/N Combination	3421051	3426051	3428051	3435051	3431051	3432051	3436051
P/N Single/Piggyback	3421001	3426001	3428001	3435001	3431001	3432001(a)	3436001
P/N Piggyback Plus Kit	N/A	N/A	N/A	N/A	3431008	N/A	N/A
Wt. Combination (lbs.)	15.9	16.6	18.5	18.3	20.0	26.5	30.8
Wt. Single (lbs.)	9.6	9.5	11.6	9.7	11.6	18.3	20.2
A	8.31	8.52	9.04	8.47	9.04	9.86	11.13
B	6.16	6.36	6.91	6.12	6.66	7.52	8.38
C	6.9	7.38	7.38	8.31	8.31	8.31	9.25
D	7.34	7.34	8.21	7.34	8.21	9.18	9.18
E	4.75"						
F	5/8" - 11UNC						
G	5/8" - 18UNF						
Inlets	3/8" - NPTF						
X - Min. (in the caged position)	8.00"						

NOTE: (a) This model must be used only in combination with MGM Brakes heavy-duty weld reinforced mounting base or 8-gauge non-pressure housing. Product information and specifications subject to change without notice.

**TR-THD Models** – In addition to all of the above features, these models substitute a heavy-duty power spring that provides approximately 158 lbs. more force output @ 1.25 inches of stroke over the standard power spring. A great choice for applications requiring extra parking capability. Perfect for high-tonnage dump trucks, ready-mix cement trucks and refuse haulers.

**TR-LP3T Models** – In addition to all of the above features (including heavy-duty power spring), these models are characterized by 3-inch “Long Stroke” design. A wise choice for school and transit buses—greater reserve stroke equals increased safety for passengers.



www.MGMBrakes.com  
A Division of Indian Head Industries, Inc.

Available from:



*A Leader in Truck Safety—Worldwide.*