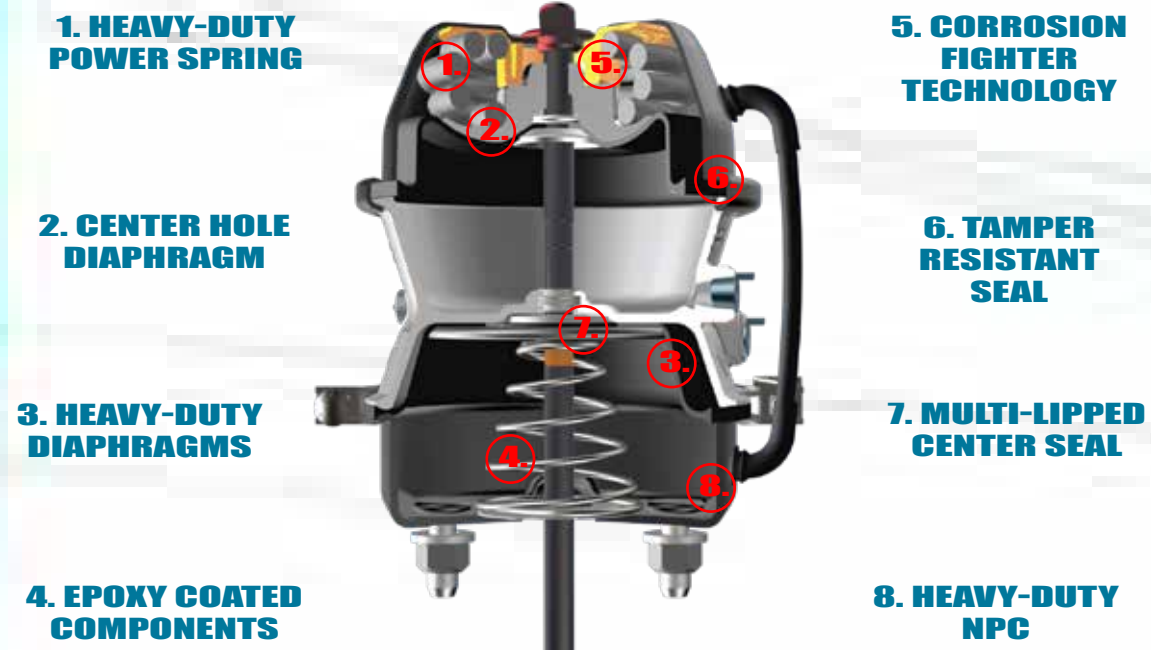


## WHY INVEST IN A MGM CHAMBER?



1. Long life, epoxy coated power spring – HD available. Maintains secure parking force.
2. Center hole diaphragm: An MGM invention to assure push-rod alignment throughout the brake chamber.
3. Heavy-duty, nylon reinforced diaphragms for durability and longer life (hybrid neoprene diaphragms available).
4. Power spring, return spring, spring side head and NPC all epoxy coated to resist corrosion and increase service life.
5. Corrosion Fighter Technology: Patented MGM exclusive design that increases power spring life by reducing the internal effects of electrolysis. The new spring guide also ensures precise alignment of the power spring inside the brake. *Guide depicted orange for visual purposes.*
6. Tamper resistant design assures chamber safety.
7. Multi-lipped center seal assures a positive internal seal that is superior to o-rings.
8. Heavy-duty gauge steel NPC for added durability.

### UPGRADE OPTIONS:

- WELDED YOKE
- BREATHER TUBE
- SEVERE SERVICE
- HD POWER SPRING
- WELDED MOUNTING BOLTS
- PISTON BRAKES
- LTR BRAKES



[www.mgmbrakes.com](http://www.mgmbrakes.com)

### MGM Brakes

6200 Harris Technology Blvd.  
Charlotte, North Carolina 28269  
Phone: (800) 527-1534  
Phone: (704) 547-7411  
Fax: (704) 547-9367  
email: [mail@mgmbrakes.com](mailto:mail@mgmbrakes.com)



# REFERENCE GUIDE



FORM 5059  
Revised 2/2021

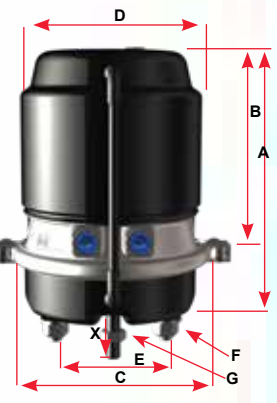
## SCHOOL BUS APPLICATIONS (welded yoke)

5 YEAR WARRANTY LONG STROKE BRAKE CHAMBERS		
P/N	MODEL	APPLICATION/DESCRIPTION
3523951	TR3030LP3TS	2430 Chamber - Welded Yoke
3527951 **	TR2430LP3TSHD	2430 Chamber - Welded Yoke - Heavy Duty Parking Spring
3531951	TR3030LP3TS	3030 Chamber - Welded Yoke
3534951 **	TR3030LP3TSHD	3030 Chamber - Welded Yoke - Heavy Duty Parking Spring
4 YEAR WARRANTY LONG STROKE BRAKE CHAMBERS		
P/N	MODEL	APPLICATION/DESCRIPTION
3225951	TR2430LP3T	2430 Chamber - Welded Yoke
3227951 **	TR2430LP3THD	2430 Chamber - Welded Yoke - Heavy Duty Parking Spring
3231951	TR3030LP3T	3030 Chamber - Welded Yoke
3233951 **	TR3030LP3THD	3030 Chamber - Welded Yoke - Heavy Duty Parking Spring
3 YEAR WARRANTY LONG STROKE BRAKE CHAMBERS		
P/N	MODEL	APPLICATION/DESCRIPTION
3224951	TR2430LP3	2430 Chamber - Welded Yoke
3226951 **	TR2430LP3HD	2430 Chamber - Welded Yoke - Heavy Duty Parking Spring
3230951	TR3030LP3	3030 Chamber - Welded Yoke
3232951 **	TR3030LP3HD	3030 Chamber - Welded Yoke - Heavy Duty Parking Spring
3 YEAR WARRANTY LONG STROKE SERVICE CHAMBERS		
P/N	MODEL	APPLICATION/DESCRIPTION
1621901	CS20L	Type 20 Sealed
1428901	C24L3	Type 24
1431901	CL30L3	Type 30
RECOMMENDED REPLACEMENT PARTS		
P/N	APPLICATION/DESCRIPTION	
8038012	1/2" Stainless Steel Clevis Pin	
8038016	1/4" Stainless Steel Clevis Pin	
8151001X*	Cotter Pin for 1/2" Clevis Pin *8 pc. bulk pack	
8051003X*	Cotter Pin for 1/4" Clevis Pin *8 pc. bulk pack	

NOTES: \* 8 pc. bulk pack • \*\* Recommended for International Buses (applicable to all) • ## All chambers have 2.25" (2 1/4") Y-Dimension

## FIRE TRUCK APPLICATIONS

P/N	MJS3024ET	MJS3028ET	MJS3030ET	MJS3628ET
MODEL	MJS3024ET	MJS3028ET	MJS3030ET	MJS3628ET
Size	3024	3028	3030	3628
Stroke	3.00"	3.00"	3.00"	3.00"
P/N Combination SAE	MJS3024ET051	MJS3028ET051	MJS3030ET051	MJS3628ET051
P/N Piggyback + Kit SAE	MJS3024ET008	MJS3028ET008	MJS3030ET008	MJS3628ET008
P/N Combination METRIC	MJS3024ET049	MJS3028ET049	MJS3030ET049	MJS3628ET049
Wt. Combination	22.40 lb	23.10 lb	23.10 lb	25.20 lb
Wt. Single	14.60 lb	14.92 lb	14.92 lb	14.50 lb
A	10.33"	10.73"	10.73"	11.06"
B	7.94"	8.43"	8.43"	8.43"
C	8.32"	8.32"	8.32"	9.40"
D	6.76"	7.50"	7.50"	7.50"
E	4.75"			
F	5/8" 11 UNC			
G	5/8" UNF			
Inlets	3/8" NPTF			
X - Min. (caged position)	8.00"			



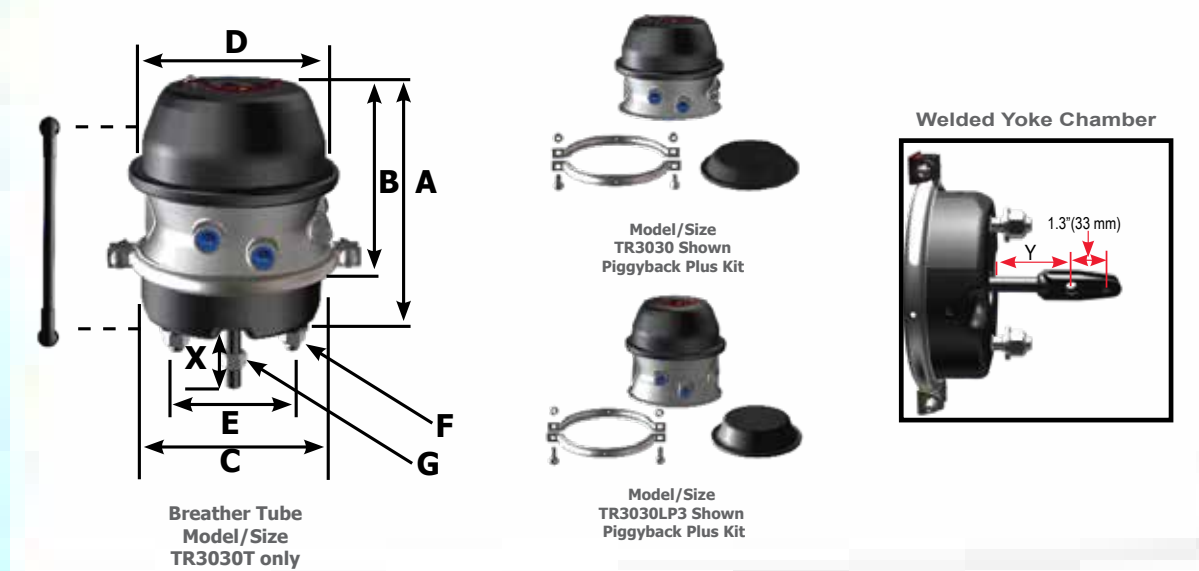


DESIGNED WITH QUALITY

## SPRING BRAKES - STANDARD STROKE

COMBINATIONS - STANDARD STROKE								
Model / Size	TR2424L	TR2430L	TR3030	TR3030T*	TR3030TS*	TR3036	TR3636	LTR3030T**
P/N Combination	3427051	3429051	3430051	3431051	3531051	3433051	3437051	3831051
P/N Neoprene Diaphragm	3427851	N/A	3430851	3431851	3531851	3433851	N/A	N/A
P/N Welded Yoke (2.25")	N/A	N/A	3430951	3431951	3531951	3433951	3437951	N/A
Stroke	2.50"	2.50"	2.50"	2.50"	2.50"	2.50"	3.00"	2.50"
Wt. (lbs.)	16.6	18.2	19.4	19.4	19.4	26.5	30.8	19.9
A	8.52"	8.99"	9.04"	9.04"	9.04"	9.90"	11.08"	11.86"
B	6.40"	6.87"	6.71"	6.71"	6.71"	7.54"	8.39"	9.46"
C	7.19"	7.19"	8.32"	8.32"	8.32"	8.32"	9.24"	8.27"
D	7.34"	8.21"	8.21"	8.21"	8.21"	9.18"	9.18"	8.18"
E	4.75"							
F	5/8"-11UNC							
G	5/8"-18UNF							
Inlets	3/8"-NPTF							
X - Min. (caged position)	8.00"							

NOTE: \*TR-T model with breather tube design. TR-TS Model severe service with breather tube design.  
\*\*LTR-T model with breather tube design, aluminum head.



PIGGYBACK PLUS KITS - STANDARD STROKE							
Model / Size	TR2424L	TR2430L	TR3030	TR3030T*	TR3036**	TR3636	LTR3030T***
P/N Piggyback Plus Kit	3427008	3429008	3430008	3431008	3433008	3437008	3831008
P/N Neoprene Diaphragm	N/A	N/A	3430808	3431808	3433808	N/A	N/A

PIGGYBACK PLUS KITS - LONG STROKE					
Model / Size	TR2430LP3	TR3030LP3	LTR3030L3***	MJS3024ET****	MJS3030ET****
P/N Piggyback Plus Kit	3224008	3230008	3832008	MJS3024ET008	MJS3030ET008
P/N Neoprene Diaphragm	N/A	3230808	N/A	N/A	N/A

NOTE: \*Breather tube design.  
\*\*This model must be used in combination with MGM Brakes heavy-duty weld-reinforced mounting base only.  
\*\*\*LTR-T model with breather tube design, aluminum head.  
\*\*\*\*Piston-type brake with breather tube design.  
• Piggyback Plus Kits include piggyback, clamp band & service diaphragm.

**NOTE: FOR THOSE USING 2-PIN SLACK ADJUSTERS, PLEASE NOTE:** The welded yoke chambers listed above have a measurement between the pins on the welded yoke of 1.30". If the vehicle's original manufacturer's clevis has a measurement other than 1.30", the welded yoke chamber listed cannot be used and a threaded rod chamber with a clevis utilizing the proper pin spacing recommended by the vehicle's manufacturer should be used instead.

## SPRING BRAKES - LONG STROKE

COMBINATIONS - 3" LONG STROKE							
Model / Size	TR2430LP3	TR3030LP3	TR3030LP3T	TR3030LP3TS	TR3036L3	TR3036L3T	LTR3030L3*
P/N Combination	3224051	3230051	3231051	3535051	3234051	3235051	3832051
P/N Neoprene Diaphragm	3224851	3230851	3231851	3535851	N/A	N/A	N/A
P/N Welded Yoke (2.25")	3224951	3230951	3231951	3535951	3234951	3235951	3832951
Stroke	3.00"	3.00"	3.00"	3.00"	3.00"	3.00"	3.00"
Wt. (Lbs.)	19.3	20.1	20.1	20.1	26.9	26.9	20.5
A	10.19"	9.99"	9.99"	9.99"	10.96"	10.96"	13.0"
B	7.81"	7.61"	7.61"	7.61"	8.62"	8.62"	10.63"
C	7.38"	8.32"	8.32"	8.32"	8.14"	8.14"	8.27"
D	8.21"	8.21"	8.21"	8.21"	9.18"	9.18"	8.18"
E	4.75"						
F	5/8"-11UNC						
G	5/8"-18UNF						
Inlets	3/8"-NPTF						
X - Min. (caged position)	8.00"						

NOTE: \*LTR-L3 model with aluminum head.



### 3036 - LONG STROKE MODELS

P/N	MODEL	DESCRIPTION
3234008	TR3036L3	Piggyback Plus Kit
3234051	TR3036L3	Long stroke 3036 without welded yoke
3234051X	TR3036L3	Long stroke 3036 without welded yoke, bulk pack - 12 pcs.
3234951	TR3036L3	Long stroke 3036 with welded yoke - 2.25"
3234951X	TR3036L3	Long stroke 3036 with welded yoke - 2.25", bulk pack - 12 pcs.
3235008	TR3036L3T	Piggyback Plus Kit
3235051	TR3036L3T	Long stroke 3036 with breather tube
3235951	TR3036L3T	Long stroke 3036 with breather tube and welded yoke - 2.25"
3235951X	TR3036L3T	Long stroke 3036 with breather tube and welded yoke - 2.25", bulk pack - 12 pcs.
3235955	TR3036L3T	Long stroke 3036 with breather tube, nitrile rubber diaphragm, ss pins and welded yoke - 2.87" y-dim.

### 3036 - LONG STROKE CROSS REFERENCE

MGM P/N	HALDEX	RANGER	TSE
3234008	GP3036L	BPS-3036KLS	N/A
3234051	GC3036L	BTS-3036LS	3036TN3
3234951	GC3036LCW	N/A	N/A
3235008	N/A	N/A	N/A
3235051	N/A	N/A	N/A
3235951	N/A	N/A	N/A

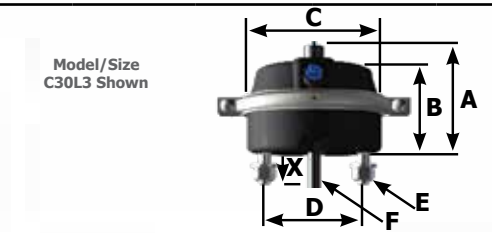
IMPORTANT NOTE: Product information valid as of publication date and product information and specifications are subject to change without notice. For a full selection of MGM products, please refer to the MGM Brakes website for more information.

## SERVICE CHAMBERS

SERVICE CHAMBERS - STANDARD & LONG STROKE										
Model / Size	C12	C16	C20	CS20L*	C24L	C24L3	C30	C30L3	C36	
P/N Service Chamber	1412001	1416001	1420001	1621001	1427001	1428001	1430001	1431001	1436001	
P/N Neoprene Diaphragm	N/A	N/A	1420801	N/A	1427801	1428801	1430801	1431801	1436801	
P/N Welded Yoke (2.25")	N/A	N/A	N/A	1621901	1427901	1428901	1430901	1431901	N/A	
P/N Intraax/Vantraax	N/A	N/A	N/A	N/A	1427551	N/A	1430551	N/A	N/A	
Stroke	1.75"	2.25"	2.25"	2.50"	2.50"	3.00"	2.50"	3.00"	3.00"	
Wt. (Lbs.)	3.80	5.90	8.02	6.80	9.00	9.72	10.70	10.76	15.88	
A	3.84"	4.43"	4.16"	4.37"	4.42"	5.30"	4.43"	5.31"	5.12"	
B	3.13"	3.64"	3.41"	3.74"	3.67"	4.22"	3.69"	4.36"	4.52"	
C	5.69"	6.66"	6.92"	7.00"	7.46"	7.37"	8.27"	8.24"	9.44"	
D	3.00"	3.00"	4.75"	4.75"	4.75"	4.75"	4.75"	4.75"	4.75"	
E	7/16"-14UNC			5/8"-11UNC						
F	1/2"-20UNF			5/8"-18UNF						
Inlets	3/8"-NPTF			3/8"-NPTF						
X - Min. (caged position)	4.00"			8.00"						

NOTE: \*S = sealed assembly

### HENDRICKSON INTRAAX & VANTRAAX SUSPENSION APPLICATIONS



P/N	MODEL	STROKE	DESCRIPTION
MJS3028ET551	MJS3028ET	LS	5/8" x 12" Push-Rod, 5" threaded Piston
MJS3030ET551	MJS3030ET	LS	5/8" x 12" Push-Rod, 5" threaded Piston
MJS3630ET551	MJS3630ET	LS	5/8" x 12" Push-Rod, 5" threaded Piston
3230551	TR3030LP3	LS	5/8" x 12" Push-Rod, 5" threaded Double Diaphragm
3230555	TR3030LP3	LS	5/8" x 12" Fully Threaded Push-Rod: can be used to replace 3230051 and 3230551 Double Diaphragm
3230957	TR3030LP3	LS	5/8" x 11.10" Push-Rod w/Welded Yoke Double Diaphragm
3231551	TR3030LP3T	LS	5/8" x 12" Push-Rod, 5" threaded Double Diaphragm
3231555	TR3030LP3T	LS	5/8" x 12" Fully Threaded Push-Rod: can be used to replace 3231051 and 3231551 Double Diaphragm
3231959	TR3030T	LS	5/8" x 11.10" Push-Rod w/Welded Yoke Double Diaphragm
3232551	TR3030LP3HD	LS	5/8" x 12" Push-Rod, 5" threaded Double Diaphragm
3430551	TR3030	SS	5/8" x 12" Push-Rod, 5" threaded Double Diaphragm
3430555	TR3030	SS	5/8" x 12" Fully Threaded Push-Rod: can be used to replace 3430051 and 3430551 Double Diaphragm
3430957	TR3030	SS	5/8" x 11.10" Push-Rod w/Welded Yoke Double Diaphragm
3431551	TR3030T	SS	5/8" x 12" Push-Rod, 5" threaded Double Diaphragm
3431555	TR3030T	SS	5/8" x 12" Fully Threaded Push-Rod: can be used to replace 3431051 and 3431551 Double Diaphragm
3431959	TR3030T	SS	5/8" x 11.10" Push-Rod w/Welded Yoke Double Diaphragm
3432551	TR3036T	SS	5/8" x 12" Push-Rod, 5" threaded Double Diaphragm
3436551	TR3636T	SS	5/8" x 12" Push-Rod, 5" threaded Double Diaphragm
3531551	TR3030TS	SS	5/8" x 12" Push-Rod, 5" threaded Double Diaphragm
3534551	TR3030LP3TSHD	LS	5/8" x 12" Push-Rod, 5" threaded Double Diaphragm
3535551	TR3030LP3TS	LS	5/8" x 12" Push-Rod, 5" threaded Double Diaphragm
3535957	TR3030LP3TS	LS	5/8" x 11.10" Push-Rod w/Welded Yoke Double Diaphragm
3631551	TR3030THD	SS	5/8" x 12" Push-Rod, 5" threaded Double Diaphragm
3831551	LTR3030T	SS	5/8" x 12" Push-Rod, 5" threaded Double Diaphragm
3832551	LTR3030L3	LS	5/8" x 12" Push-Rod, 5" threaded Double Diaphragm
3833953	LTR3030L3T	LS	5/8" x 11.10" Push-Rod w/Welded Yoke Double Diaphragm
3844551	LTR3030L3W	LS	5/8" x 12" Push-Rod, 5" threaded Double Diaphragm

## AIR DISC BRAKES & CROSS REFERENCE

MGM SERVICE CHAMBERS FOR AIR DISC BRAKES SAE			MGM METRIC	BENDIX CROSS REFERENCE	TSE CROSS REFERENCE	HALDEX CROSS REFERENCE
SIZE	MGM MODEL	MGM P/N	MGM P/N	BENDIX P/N	TSE P/N	HALDEX P/N
16	CSB16D	CSB16D051	CSB16D049	K028226	16HSCND2-XXX	SC16D
18	CSB18D	CSB18D051	CSB18D049	K028022	18HSCND2-4026	SC18D
20	CSB20D	CSB20D051	CSB20D049	K028225	20HSCND2-3630	SC20D
22	CSB22D	CSB22D051	CSB22D049	K028238	22HSCND2-3631	SC22D
24	CSB24D	CSB24D051	CSB24D049	K028252	24HSCND2-3632	SC24D

MGM DOUBLE DIAPHRAGM PARKING CHAMBERS FOR AIR DISC BRAKES SAE			MGM METRIC	BENDIX CROSS REFERENCE	TSE CROSS REFERENCE	HALDEX CROSS REFERENCE
SIZE	MGM MODEL	MGM P/N	MGM P/N	BENDIX P/N	TSE P/N	HALDEX P/N
1624	TRB1624DT	TRB1624DT051	TRB1624DT049	K042457	1616HTLD2-3627 & 1624TLD2H	GC1624D
1824	TRB1824DT	TRB1824DT051	TRB1824DT049	K043329, K132352, K026453, K043312, K065544	1816HTND2-3669 & 1824TND2H	GC1824D
2024	TRB2024DT	TRB2024DT051	TRB2024DT049	K041960	2016HTND2-3710 & 2024TND2H	GC2024D
2224	TRB2224DT	TRB2224DT051	TRB2224DT049	K043148	2224TND2H	GC2224D
2424	TRB2424DT	TRB2424DT051	TRB2424DT049	K043270	2424TND2H	GC2424D
2430	TRB2430DT	TRB2430DT051	TRB2430DT049	N/A	2430TLD2H	N/A

MGM PISTON DIAPHRAGM PARKING CHAMBERS FOR AIR DISC BRAKES SAE			MGM METRIC	BENDIX CROSS REFERENCE	TSE CROSS REFERENCE	HALDEX CROSS REFERENCE
SIZE	MGM MODEL	MGM P/N	MGM P/N	BENDIX P/N	TSE P/N	HALDEX P/N
1624	MJB1624DT	MJB1624DT051	MJB1624DT049	K026731	1624HTND2-XXX	N/A
1824	MJB1824DT	MJB1824DT051	MJB1824DT049	K025670	1824HTND2-3628	N/A
2024	MJB2024DT	MJB2024DT051	MJB2024DT049	K025669	2024HTND2-3626	N/A
2224	MJB2224DT	MJB2224DT051	MJB2224DT049	K026737	2224HTND2-XXX	N/A
2424	MJB2424DT	MJB2424DT051	MJB2424DT049	K026734	2424HTND2-3629	N/A

NOTE: Cross Reference applies to SAE brakes only. For additional information, go to <http://bit.ly/crossreference>.



MADE WITH PRIDE